

PURESTREAM

ELECTRIC DRAINS



TSD-723

PURE PNEUMATIC ENERGY

- * ELECTRICALLY APPROVED FOR CANADA
- * 10' POWER CORD COMPLETE WITH THREE PRONG PLUG
- * STRAINER INLET CONNECTION DESIGNED WITH A 1/4" NPT I.D. AND 1/2" NPT O.D.

PURE PNEUMATIC ENERGY

PURESTREAM TSD-723 TIMER CONTROLLED CONDENSATE DRAIN

The Purestream model TSD-723 timer controlled drain is our premium timer drain available in various configurations. The TSD-723 timed electric drain is designed to drain condensate from air compressors, moisture separators, filters, air dryers and drop legs in a compressed air system. Second only to our premium no air loss energy saving Bekomat drains the TSD is the best quality option available in the competitive timer drain market. The TSD drain will provide consistent and reliable performance, fully approved for Canada, competitively priced and available from stock.

The TSD-723 timer drain will control condensate drainage at any interval between the adjustable time cycles from 0.5 to 45 minutes and the draining time can be set between 0.5 to 10 seconds. Each drain consists of a timer, solenoid valve, coil, din connector, gaskets, 10' power cord with three pronged plug. In order to prolong the life and protect the drain from contamination our ball valve strainer is also included and installed as standard.

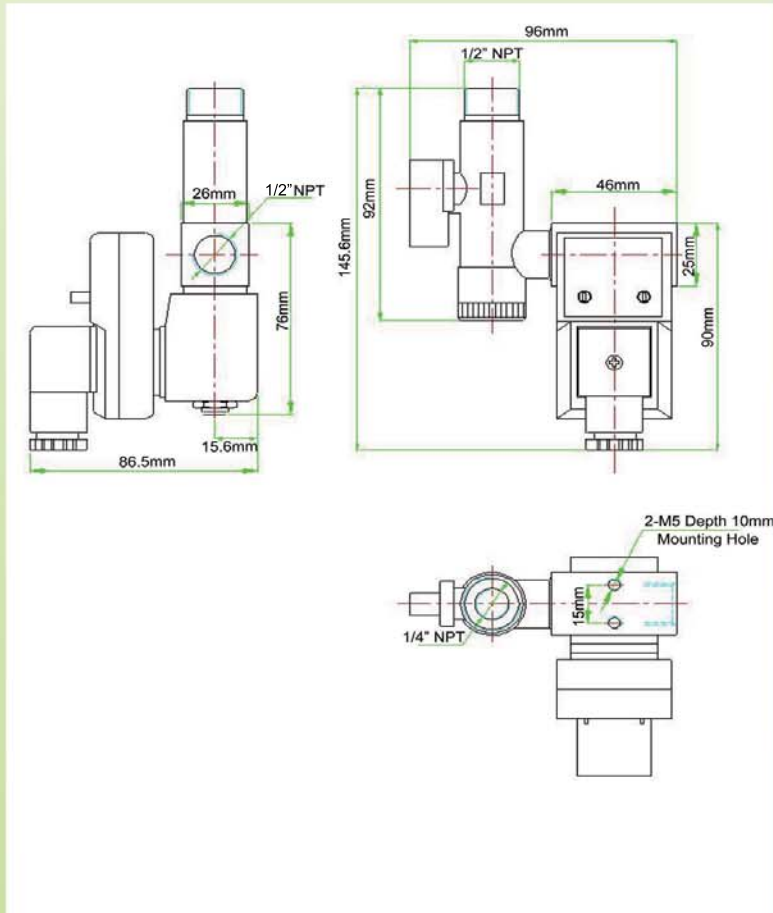
Timer Technical Data

Interval Time Off Min	0.5-45 minutes adjustable
Discharge Time On Sec	0.5-10 seconds adjustable
Supply Voltage	115/1/60 Hz
Voltage Tolerance	+ or - 10%
Manual Test Switch	standard
Current	4mA
Switch Capacity:	1A
Operating Temperature	-20C to +50C
Protection Class	IP65, NEMA 4 installed
Timer Case Material	FR Grade ABS Plastic Flame-proof
Connection	DIN43650A ISO4400/6952
Indicators	Yellow valve open or closed
Approval	cRUus Canada and USA

Valve Technical Data

Valve Type	2/2 way direct acting
Connection Ports In/Out	1/2" npt female
Maximum Working Pressure	232 psig
Operating Temperature	2C to 55C
Maximum Fluid Temperature	90C
Valve Construction	brass
Orifice Size	4.5mm
Protection	IP65
Supply Voltage	115/1/60 Hz
Voltage Tolerance	+ or - 10%
Coil	H grade
Mounting Configuration	any
Approval	cRUus Canada and USA

* Other Voltages Available



2871 Brighton Road, Oakville, Ontario, Canada L6H-6C9
 tel: 905-829-9666 1-800-951-0777 fax: 905-829-8331
 email: cagdryers@cagpurification.com
 www.cagpurification.com